



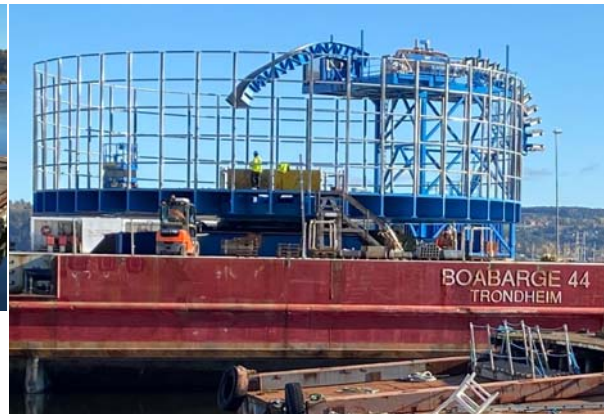
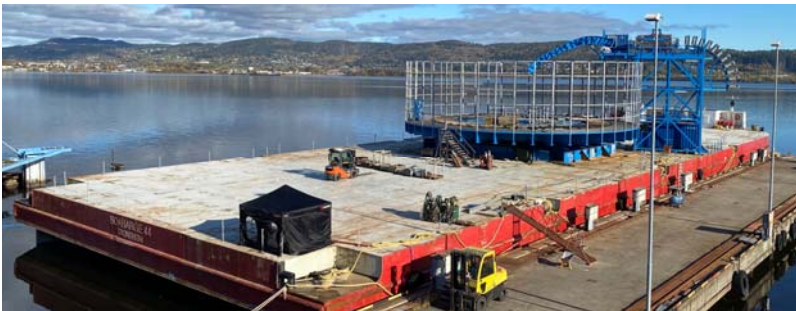
For CABLE TRANSPORT / STORAGE

Immediate available!

4,000 tons Offshore Cable Carousel Package installed onboard "BOABARGE 44"

1 pc. **Offshore Cable Carousel**, Basket type for top loading of product

1 pc. **Loading Tower** c/w hydraulic operated Cable Loading Arm, 10 Te Cable Tensioner, Cable Guide for MBR 4.2 m, Control Cabin and EPU-container containing circuit boards, frequency controllers, brake resistors, etc., ready plugged-in to Carousel



Technical particulars 4,000 Te Offshore Cable Carousel

Max. load capacity offshore:	4,000 metric tons
Max. load capacity onshore (cable storage):	5,200 metric tons
Outside extreme diameter of carousel:	23.30 m
Outer diameter of «basket»:	23.00 m
Inner diameter of «basket»:	6.00 m
Height of «basket»:	6.00 m
Volume of «basket»:	2,320 m ³
Weight of carousel:	390 metric tons
Centre of gravity above base:	2.30 m
Carousel speed, stepless:	0 to 1.0 RPM
Nos. of frequency controlled pinion drives:	4 pcs., each 90/104 kW
Power requirement (Dual voltage):	3 ph., 400/440 V, 50/60 Hz
Certified by:	DNV GL

Technical particulars Loading Tower

Weight of loading tower complete:	60 metric tons
Max. product diameter:	500 mm
Max. product weight:	300 kg/m
MBR of product:	4.20 m
Cable Loading Arm:	
Power requirement:	11 kW, 3 ph., 400/440 V, 50/60 Hz
10 Te Cable Tensioner:	
Max. Tension (Hold-back):	10 metric tons
Max. Tension (Recovery):	5 metric tons
Max. opening:	500 mm
Max. speed:	1,000 m/h
Power requirement:	32 kW, 3 ph., 400/440 V, 50/60 Hz
Built year:	2017

Technical particulars «BOABARGE 44»

Heavy deck cargo barge	
Hull design for improved towing speed and consumption	
Breakwater forward for protection of cargo	
Complete flush deck	
Bilge keels	
Water ballast treatment system (BWTS)	
Length o.a.:	91.44 m
Breadth mld.:	30.48 m
Depth mld.:	6.096 m
Draft, fully loaded:	4.891 m
Deck space:	2,620 m ²
Uniform deck strength:	25 t/m ²
Gross tonnage:	4,479 RT
Net tonnage:	1,343 RT
Port of registry:	Trondheim, Norway
Call sign:	LG7540
Class notation:	DNV +1A1
Built year:	2013

Barge w/ Carousel Package ready available, contact:

trond@drammenyard.no

Tel.: +47 32 88 26 30, Mobile: +47 915 20 065

www.drammenyard.no/cable-carousels

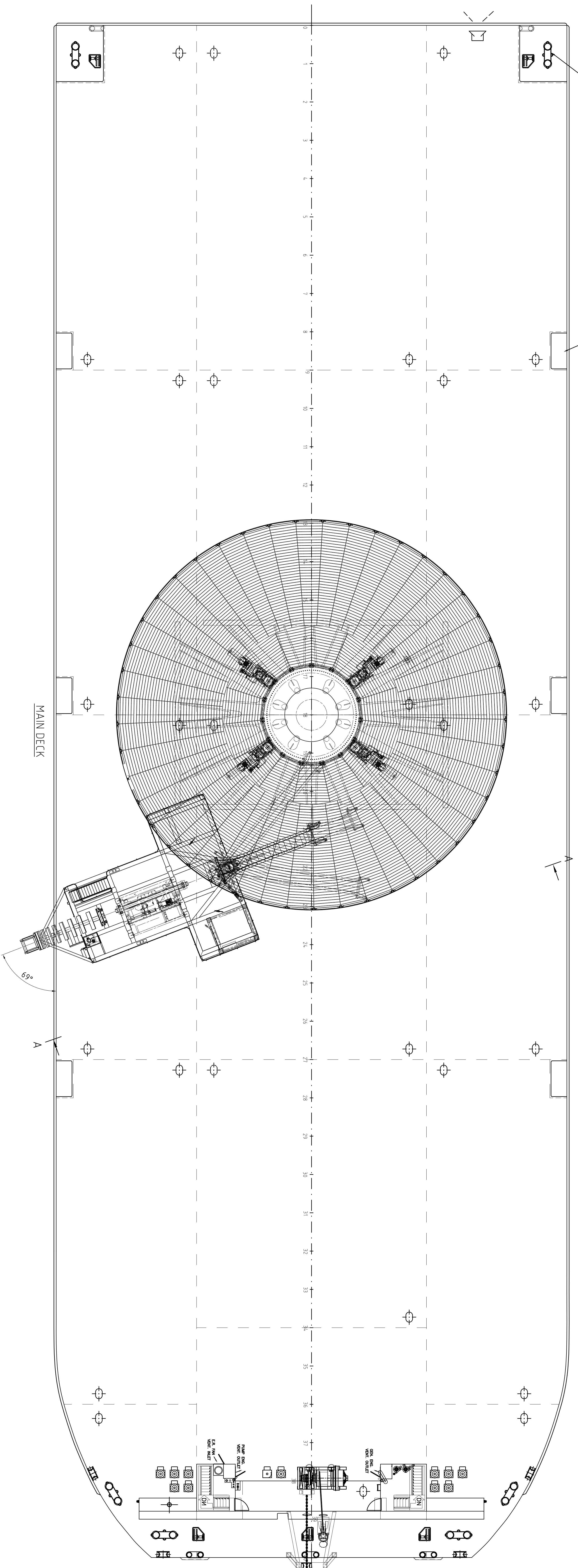
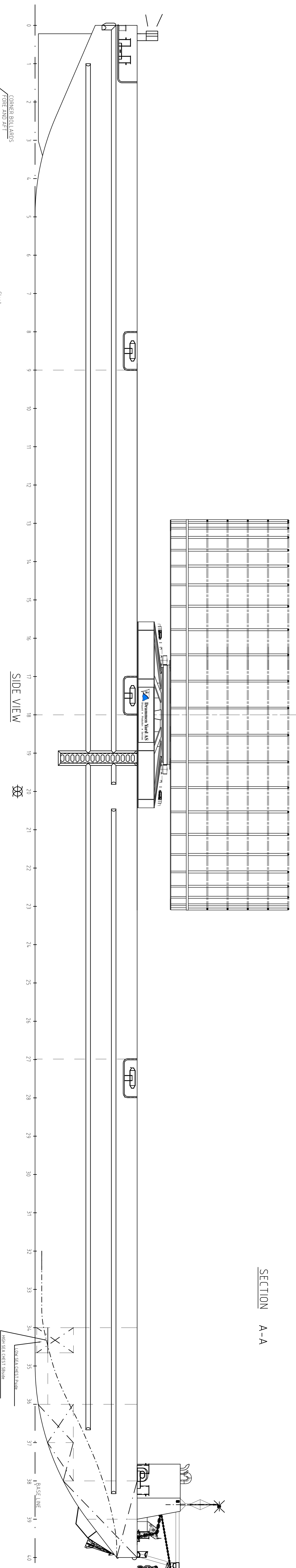
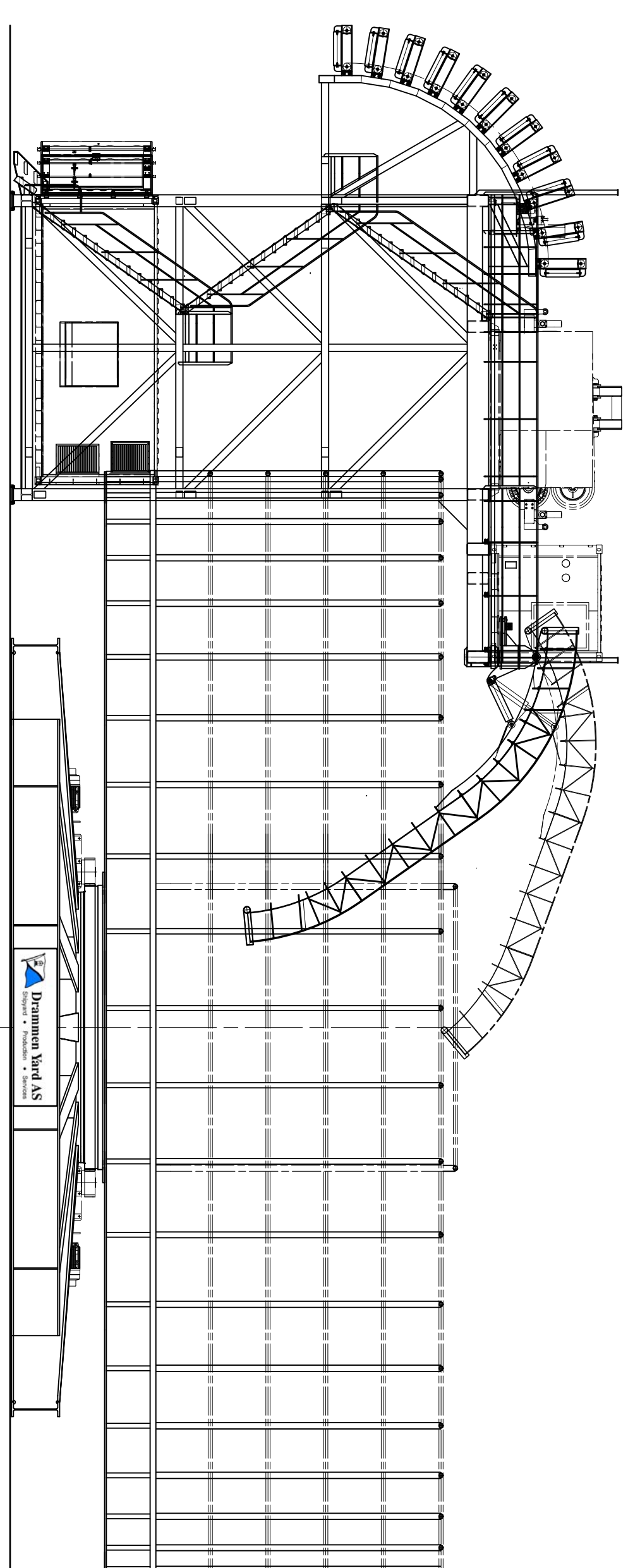
BOABARGE 43 & 44
HEAVY DECK CARGO BARGE
91,44m x 30,49m x 6,090m

MAIN DIMENSIONS:

LENGTH OVER ALL: 91,440 m
LENGTH P.P.: 91,440 m
BREADTH MOULDED: 30,480 m
DEPTH MOULDED: 6,096 m
FRAME SPACING: 2,286 m

CLASS:

Det norske Veritas +IAT1,
Barge for Deck Cargo DK(+)



Drammen Yard AS
 DRAMMEN 36, P.O. BOX 746, N-3603 DRAMMEN, NORWAY
 TEL: (+47) 32 88 20 50, FAX: (+47) 32 81 22 50 E-MAIL: post@drammenyard.no
 1:1 SCALE: 1:1000
 DRAWING NO.: G/BOBARSF-1516.dwg | D01.A8 | 1300
 SIZE: A0
 DRAWN: 23.09.2020 R. SORULE
 CHECKED: 15.10.2020
 PROJECT: Drammen Offshore Leasing / BOA
 TITLE: 4,000 TON OFFSHORE CABLE CAROUSEL
 INSTALLED ON BOARD BOA BARGE 44
 DRAWING NO.: F1-1516
 DRAWN BY: [Signature]
 CHECKED BY: [Signature]

0 1 2 3 4 5 6 7 8 9 10 11 12 13 14 15 16

A B C D E F G H I J K L M N O P